



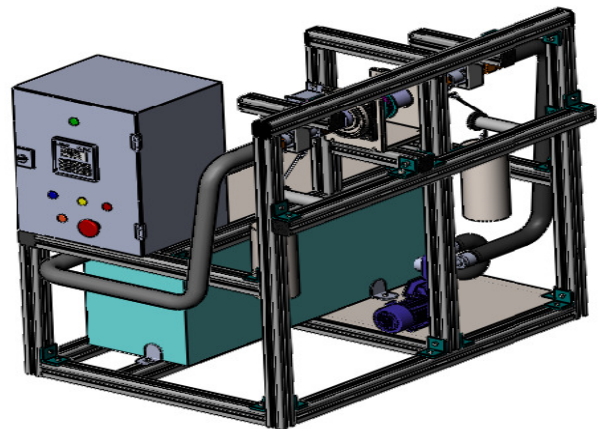
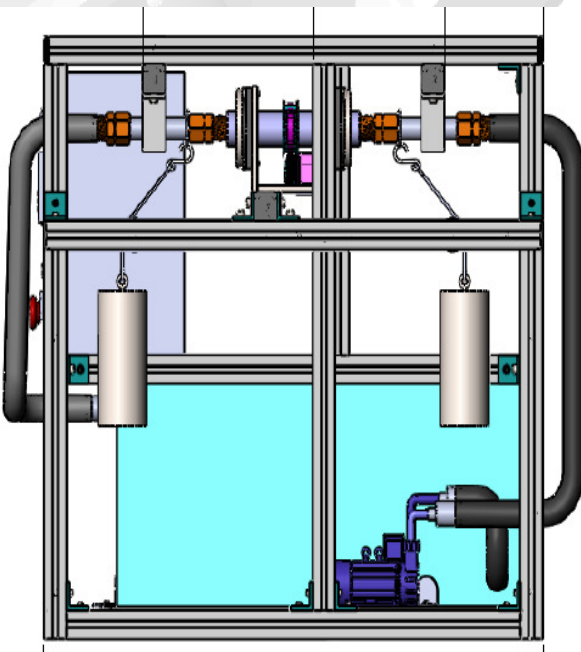
Innoway Systems

Your Design Partner

Industrial Automation

Fully automated endurance test jig

Innoway Systems has designed and supplied the fully automated test jig for component endurance testing. The design involves the usage of latest PLC controls and HMI displays for easy operation. The cycle time is programmable by user. The testing controls has pause button to interrupt the testing for intermediate inspection and validation. The Aluminum structure gives you the stable mounting and appearance. The test jig is scalable for high level automation for remote data management. The service support is extended as per customer requests.



Innoway Systems has the capability to design and develop low cost automation systems for automotive, industrial applications. The in-house design capability makes the way easy and affordable. The systematic approach and delivery commitments are the core strength. Write to us for more information.

NO:30, Ohm Vinayaka Street,
Thanneer Pandal, V. K. Road,
Peelamedu, Coimabto
India 641004

www.innoway.in

Phone: +91 890 304 0044

E-mail: anand@innoway.in